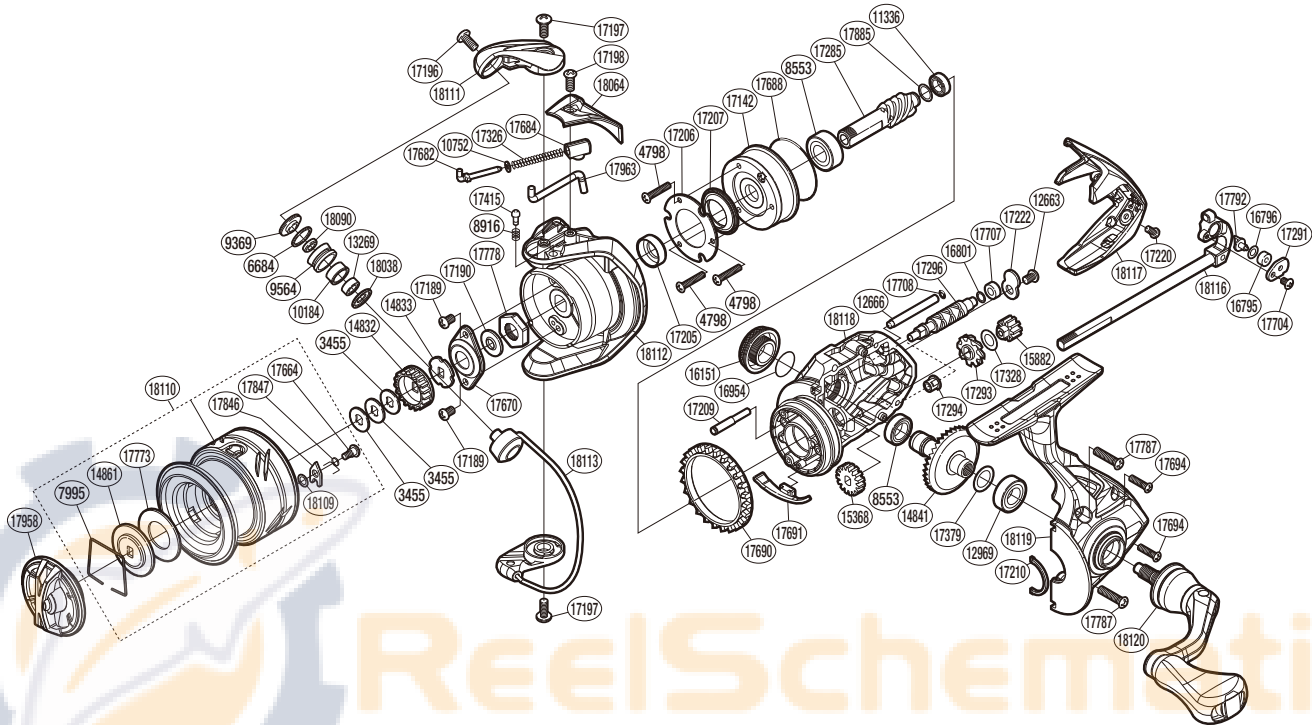


SHIMANO

ULTEGRA S A-RB

ULT-1000FB



Please note that the number of adjusting washers may not be the same as shown in the exploded views. (Adjustment will vary with each individual product.)

(51SF03B011X)

Part No.	Description	Part No.	Description	Part No.	Description
RD 3455	Spool Washer	RD17190	Bearing Water Proof	RD17704	Screw
RD 4798	Screw	RD17196	Screw	RD17707	Worm Bushing
RD 6684	Line Roller Spacer	RD17197	Screw	RD17708	O Ring
RD 7995	Drag Washers Retainer	RD17198	Screw	RD17773	Drag Washer
RD 8553	Ball Bearing	RD17205	Rotor Ring	RD17778	Rotor Nut
RD 8916	Click Spring	RD17206	Roller Clutch Reinforce	RD17787	Screw
RD 9369	Washer	RD17207	Roller Clutch Water Proof	RD17792	Oscillating Pawl
RD 9564	Line Roller	RD17209	Idle Gear B Shaft	RD17846	Drag Click
RD10184	Line Roller Bushing	RD17210	Flange Water Proof	RD17847	Drag Click Spring
RD10752	Bail Spring Guide A Support	RD17220	Screw	RD17885	Washer
RD11336	Ball Bearing	RD17222	Worm Shaft Retainer	RD17958	Drag Knob
RD12663	Screw	RD17285	Pinion Gear	RD17963	Bail Trip Lever
RD12969	Ball Bearing	RD17291	Oscillating Pawl Cover	RD18038	Line Roller Support (B)
RD13269	Ball Bearing	RD17293	Idle Gear B (Large)	RD18064	Bail Spring Cover
RD14832	Spool Support A	RD17294	Worm Bushing (Front)	RD18090	Bearing Spacer
RD14833	Spool Support B	RD17296	Worm Shaft	RD18109	Washer
RD14841	Drive Gear	RD17326	Bail Spring	RD18110	Spool Assembly
RD14861	Key Washer	RD17328	Washer	RD18111	Bail Arm
RD15368	Idle Gear	RD17379	Washer	RD18112	Rotor
RD15882	Idle Gear B (Small)	RD17415	Click Pin	RD18113	Bail Assembly
RD16151	Handle Screw Cap	RD17664	Screw	RD18116	Main Shaft Assembly
RD16795	Oscillating Slider Bushing	RD17670	Rotor Nut Lock Plate	RD18117	Rear Protector
RD16796	Spacer	RD17682	Bail Spring Guide A	RD18118	Body
RD16801	Washer	RD17684	Bail Spring Seat	RD18119	Side Cover
RD16954	O Ring	RD17688	O Ring	RD18120	Handle Assembly
RD17142	Roller Clutch Assembly	RD17690	Friction Ring		
RD17189	Screw	RD17691	Bail Trip Strike		
		RD17694	Screw	RD18054	Anti Line Slip Sticker